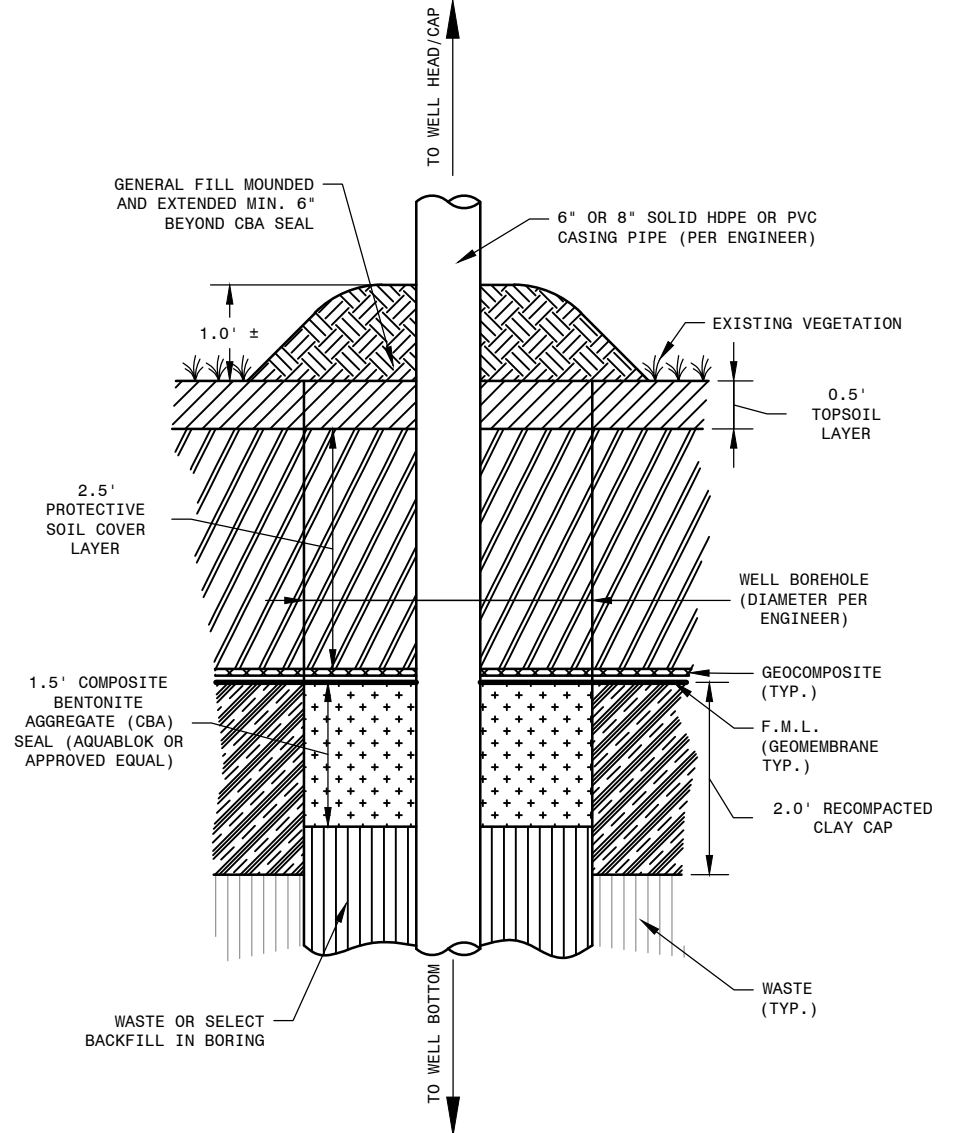


**LFG VENT/EXTRACTION WELL
PENETRATION THROUGH
INTERMEDIATE COVER DETAIL**

N.T.S.



**LFG VENT/EXTRACTION WELL
FINAL CLOSURE
PENETRATION DETAIL**

N.T.S.



175 WOODLAND AVE.
SWANTON, OHIO 43558
419-825-1325
www.aquablok.com

© 2021 AQUABLOK, LTD. ALL RIGHTS RESERVED

**LANDFILL GAS (LFG) VENT/EXTRACTION
WELL SEALING DETAILS**
(NOT TO SCALE)

PROJECT NO.: AQB105

SUBMITTAL DATE: FEBRUARY 2021

CAD DWG FILE: AQB105.100.0040

PLOT DATE: 2/16/2021